

# Snake 2010 H plus

ON ISUZU M21 GROUND BLUE H



**PM Oil&Steel SpA**

IT - 41018 S. Cesario Sul Panaro MO

Via G. Verdi, 22

tel. +39 059 936811 • fax +39 059 936804

info@oilsteel.it • www.oilsteel.com

*Oil&Steel is a brand of Manitex International*

**OIL & STEEL**  
AERIAL PLATFORMS

## AERIAL PLATFORM STANDARD EQUIPMENT

- Power takeoff with electrical start-up and automatic release
- Power takeoff on with no handbrake warning siren
- Power takeoff hour counter fitted on the dashboard of the vehicle
- Warning lights on the hour counter inside the cabin showing PTO ON and outriggers outside the vehicle profile
- Start-up and shutdown of the main engine [and potential auxiliary engine] from the basket and from the column
- Engine emergency stop button from the basket and from the column
- Single-phase, 220 or 110 V AC power socket and differential overload switch fitted on the basket
- Moment detection and limiting system
- Hand pump for emergency descent
- Aerial part and outrigger controls: hydraulic
- Aerial part controls: electro-hydraulic \*
- Outrigger controls: hydraulic \*
- Truck cabin anti-collision system \*
- Possibility to work with front crosspieces both opened, both closed [one side opened, one side closed] \*
- Manual extension of front crosspieces
- Hoses and cables inside the booms
- Two-person aluminum basket with dimensions 1400x700x1100 mm
- Hydraulic rotation of the basket 90° right - 90° left
- Protective casing for control box on the column and on the basket
- Thermal protection on the electrical system
- Lock valves on all cylinders
- Hydraulic circuit maximum pressure valves
- Anti-slip aluminum decking
- Standard painting white RAL 9016

## TRUCK STANDARD FEATURES

### IISUZU M2I GROUND BLUE H wheelbase 2760 1900 cc engine - 123 HP EGR - DPD - LNT

- Adjustable steering wheel (tilt and height)
- Power windows
- Manual headlamp leveling system
- Reverse warning beeper
- Front and rear fog lamps
- Day-time running lights immobilizer
- Central Locking with remote control
- Sun visor (driver's seat)

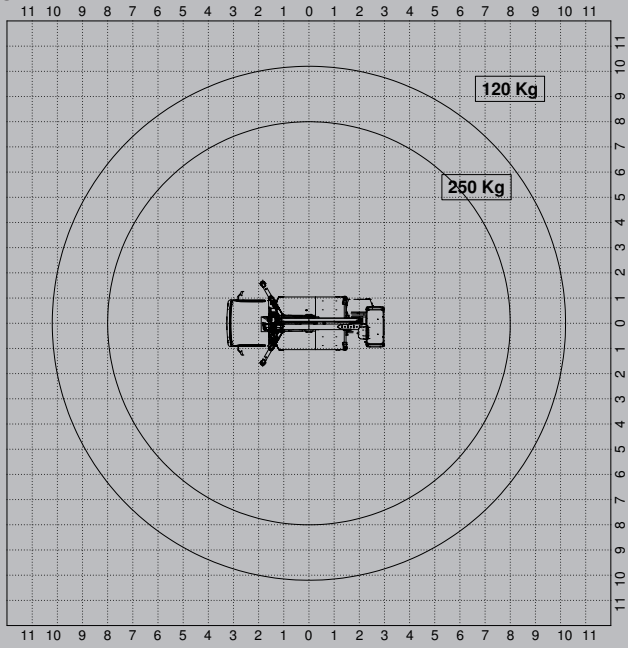
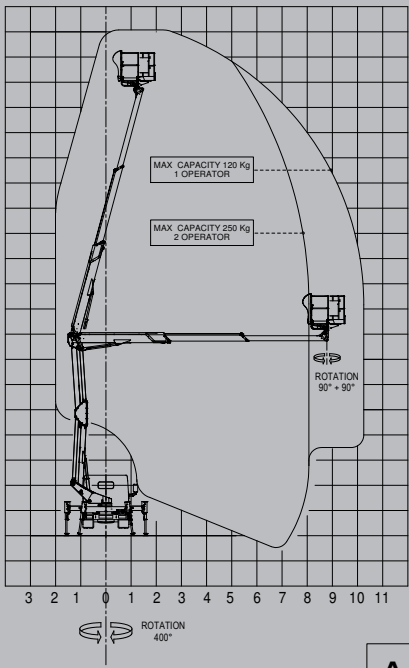
*\*standard only on the electro-hydraulic version of the machine*

## OPTIONAL

- Boom and platform treated using corrosion-resistant paint, screws in stainless steel
- Water air-line supply to the basket
- Hydraulic extension of front crosspieces
- Possibility to work with asymmetrical crosspieces - one side fully opened - one side closed
- Truck cabin anti-collision system
- Underride guards
- Oil tank protection cover
- Kit junction protection with brushes and protection cover
- Fiberglass basket 1400 x 700 x 1100 mm [instead of standard]
- Fiberglass basket 1400 x 700 x 1100 mm + insulation 1 KV [instead of standard]
- Basket rotation with rotary actuator [instead of standard]
- Kit 4 nylon outrigger pads with pad storage box
- Working height limiting device
- Tilt sensor
- 12V DC socket
- 12V DC socket + Working light 60W on basket
- Kit 2 harnesses with rope
- Electrical pump 12V DC 1.6 kW for emergency descent
- Auxiliary single-phase 110 V AC or 220 V AC - 2.2 kW electrical pump [electrical control panel and battery charger powered by an external source]
- 12 V revolving orange light for truck cabin
- 12 V revolving blue light for truck cabin
- 12 V revolving orange light for truck cabin + bar
- 12 V revolving orange light for truck cabin + trifflesh bar
- Plastic toolbox with dimensions 480 x 400 x 400mm placed under the deck
- Red and white reflective decals on truck
- Fixed aluminum side panels 100mm / 150 mm / 200 mm height
- Drop-down panels on 1 side (right) with 100 mm / 150 mm / 200 mm height
- Drop-down panels on 2 sides with 100 mm / 150 mm / 200 mm height
- Extended warranty 2 years [+1 year in addition to standard warranty conditions]
- Extended warranty 3 years [+2 years in addition to standard warranty conditions]
- Air conditioning system
- Truck cabin painting different from standard [external part only] - std RAL colors
- Aerial part painting different from standard [std RAL colors]

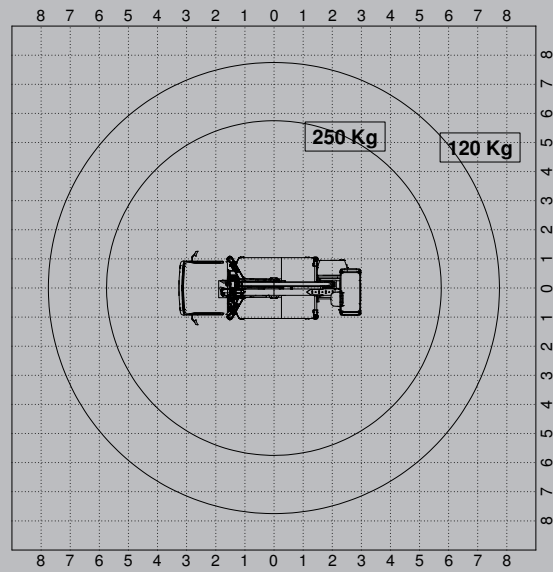
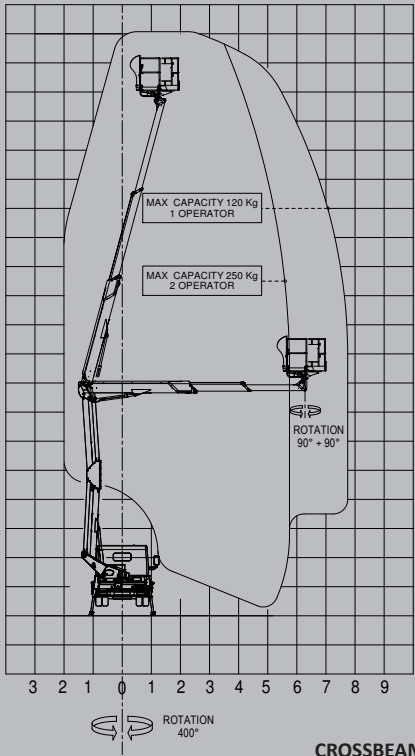


**CROSSBEAMS FULLY OPENED**



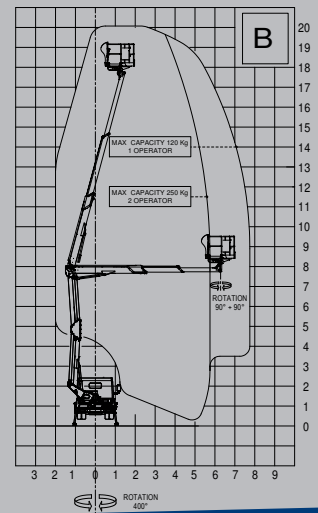
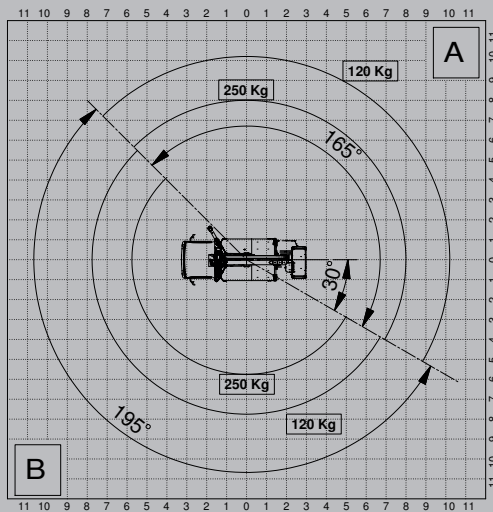
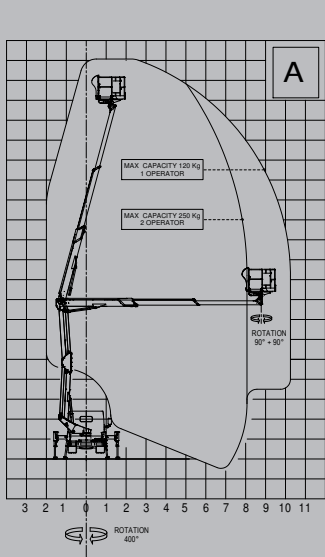
**A**

**CROSSBEAMS CLOSED**



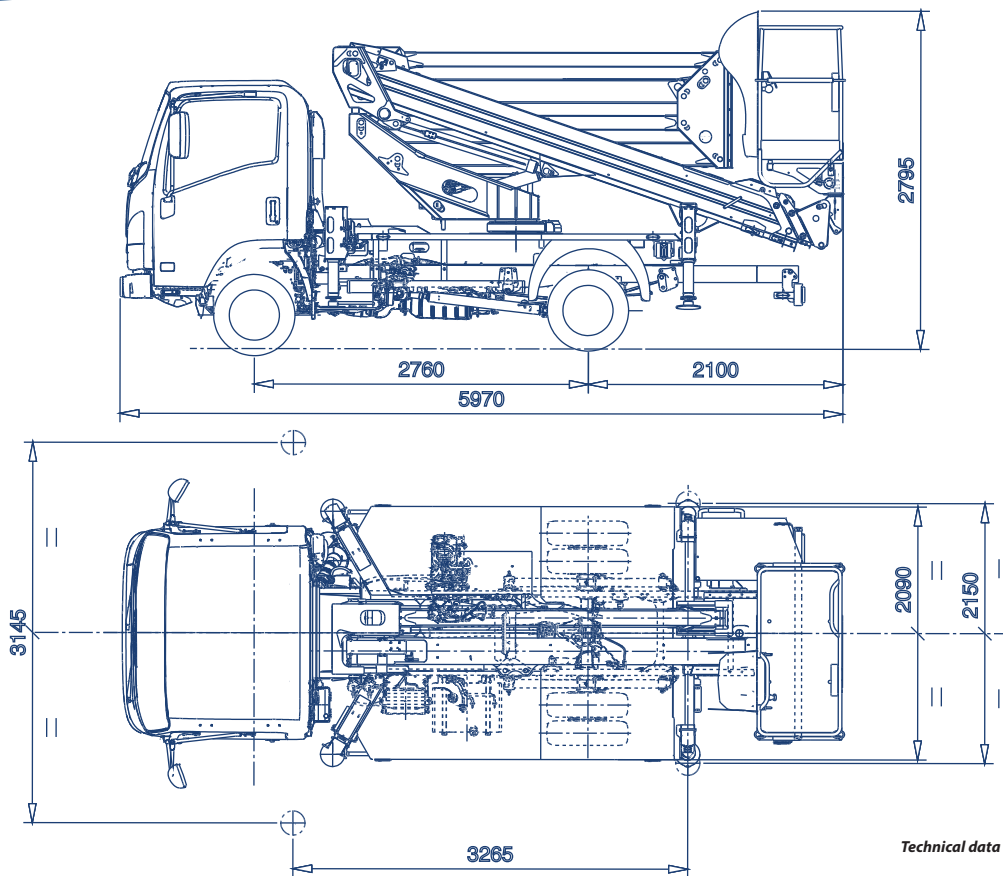
**B**

**CROSSBEAMS ONE SIDE FULLY OPENED ONE SIDE CLOSED (optional)**



**B**

# Snake 2010 H plus



Technical data are purely indicative

## TECHNICAL FEATURES

Max working height (m)	20 m
Max outreach (m)	10,2 m
Max basket capacity	250 kg
Basket dimensions	1400x700xh1100 mm aluminium [Fiberglass as optional]
Controls	Proportional hydraulic - manual or hydraulic extension of front crosspieces
Turret rotation	400°
Basket rotation	90° left + 90° right
Outriggers	H Type
Machine length	5970 mm
Machine height	2795 mm
Machine width	2090 mm

**Also available the electro-hydraulic version of the machine**

*All technical data, descriptions and illustrations are purely indicative and subject to change at PM Oil&Steel own discretion and without notice*

**PM Oil&Steel SpA**

IT - 41018 S. Cesario Sul Panaro MO

Via G. Verdi, 22

tel. +39 059 936811 • fax +39 059 936804

info@oilsteel.it • www.oilsteel.com

Oil&Steel is a brand of Manitex International

**OIL & STEEL**  
AERIAL PLATFORMS